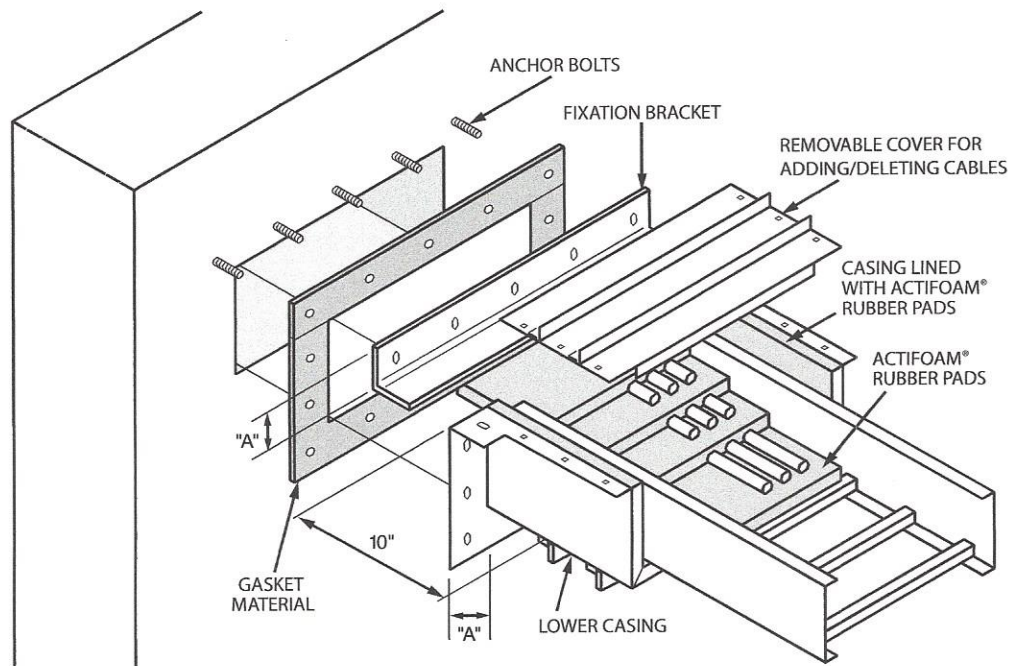


# FIRSTO® Firestop Units for Multicable Penetrations

*Actifoam® Innovative Technology*

## *Step-by-Step Installation Instructions*



"A" MOUNTING FLANGES 2—3/8" SLOTTED HOLES TO ACCEPT 1/4" ANCHOR BOLTS (NOT PROVIDED)

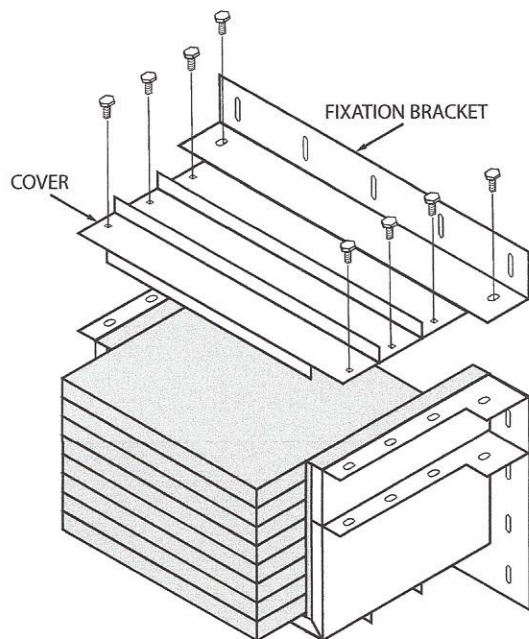
MOUNTING HARDWARE REQUIRED—CONCRETE WEDGE ANCHORS SIZE: 1/4" x 2—1/4" (NOT PROVIDED)

Steel panels may be accomplished by through bolting with fendor washer or other suitable means of back support and/or the application of heavy duty tex screws

**DORN EQUIPMENT CORPORATION**

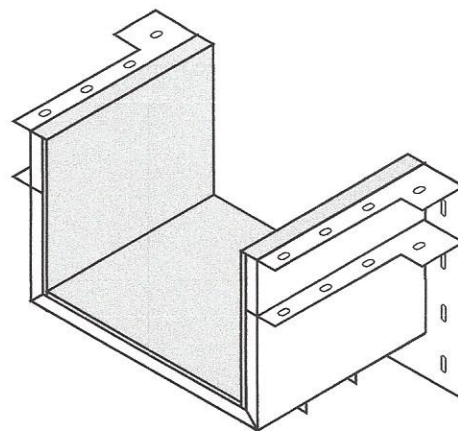
# Concrete Wall Installation Instructions

*Please see details on page four for specifics on installing floor Firestops*



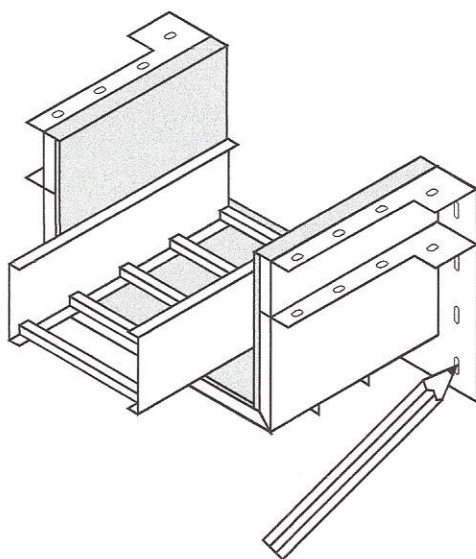
## Step 1

*Remove top cover and fixation bracket. Remove Actifoam® rubber pads from top and center of unit, leaving bottom and side pads.*



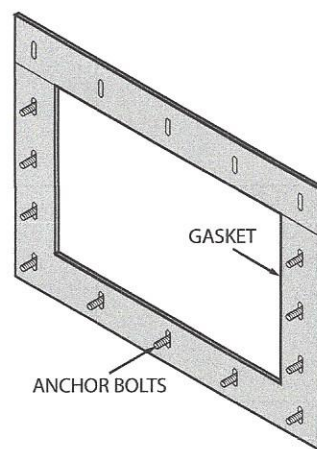
## Step 2

*Only bottom and sides should remain in the unit's frame.*



## Step 3

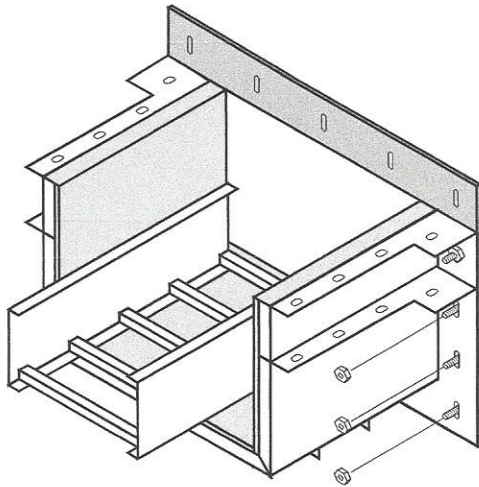
*Use the lower casing as a template and mark where to install anchor bolts. Make sure the Actifoam® fits snugly under the cable tray, if present.*



## Step 4

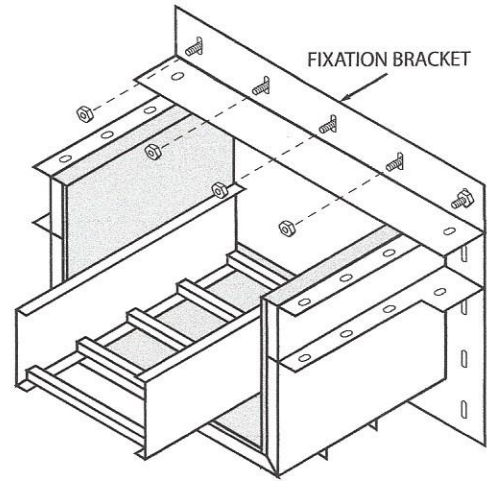
*Drill mounting holes for the lower casing and install the anchor bolts. Place the appropriate gasket material over the anchor bolts.*

*Concrete wedge anchor size 1/4" x 2—1/4"*



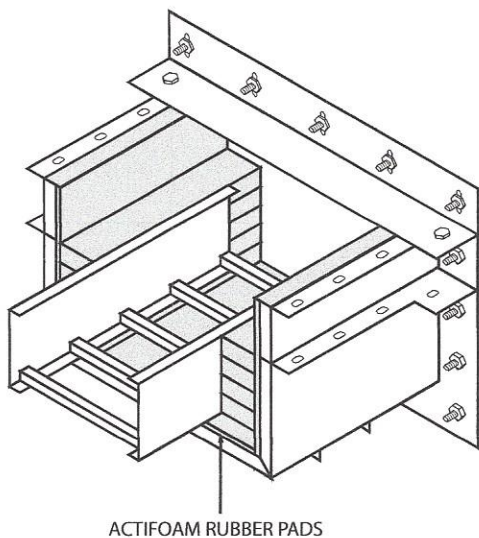
### Step 5

Fit the lower casing over the gasket and anchor bolts and attach the unit to wall.



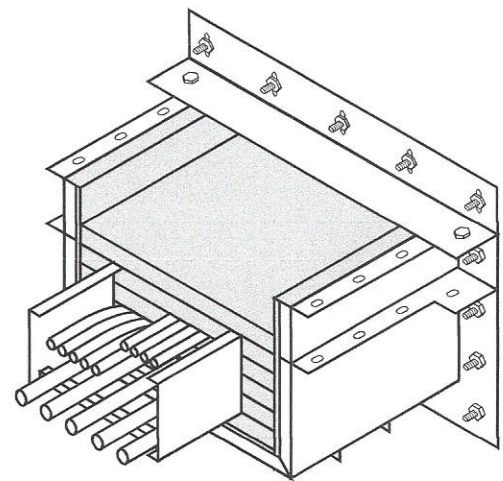
### Step 6

Position the fixation bracket and mark the locations for the anchor bolts. Install the anchor bolts for the fixation bracket. Mount the fixation bracket to the wall and unit. **Do not tighten completely.**



### Step 7

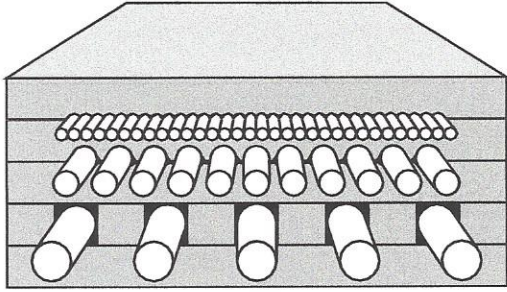
Remove strips of the Actifoam® pads and pack tightly around outside of cable tray when present.



### Step 8

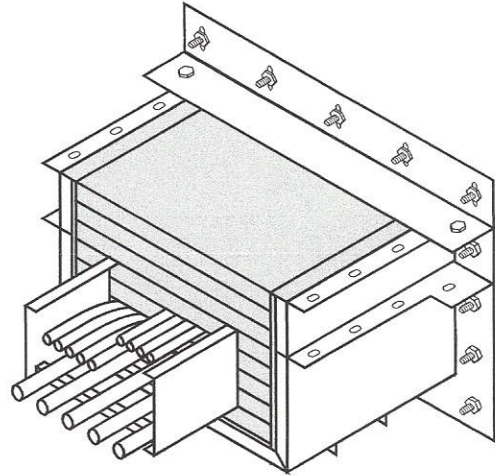
Place remaining Actifoam® pads in casing and between cable layers. Cables greater than 9/16" in diameter must be separated by a minimum of one inch thick strips of the Actifoam® material.

## Wall installation instructions continued



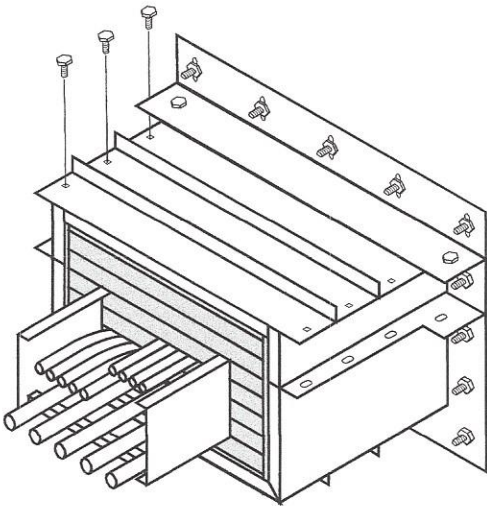
### Step 8 (detail)

Detail drawing of cable placement and separation as described in Step 8.



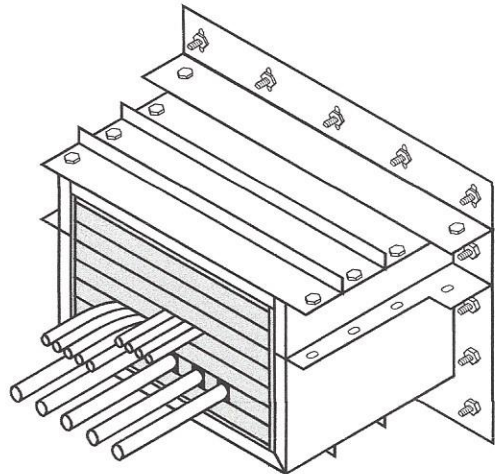
### Step 9

Place the remaining Actifoam® pads neatly in the unit casing, fitting under the fixation bracket. Tighten the bracket to the wall and lower casing.



### Step 10

Position the top cover and compress. Secure the cover to the lower casing with six bolts. **For outdoor applications see page 6.**



### Step 11

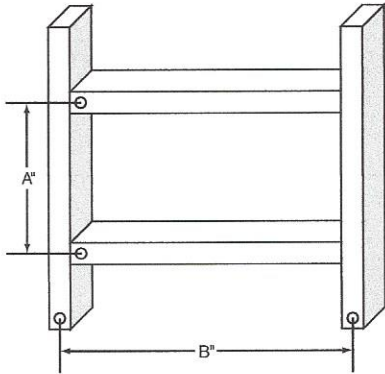
Unit may be installed with or without cable tray.

# Wall Board Installation

Please refer to Steps 4 to 10 of wall unit installation for packing and closing

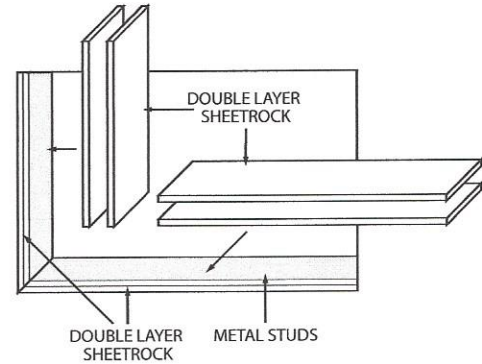
## Step 1 Frame the opening

Opening for cable passage needs to be framed with metal studs sized to match the FIRSTO® Firestop unit. See chart on opposite page for proper dimensions.



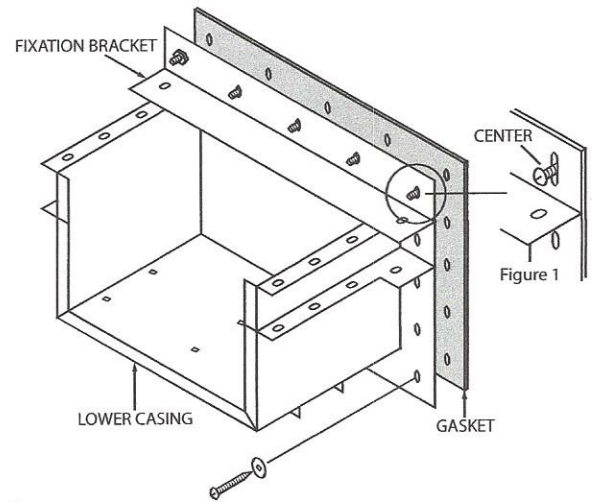
## Step 2 Drywall application

The drywall should be installed within the opening covering the metal studs with the same number of layers as the wall.



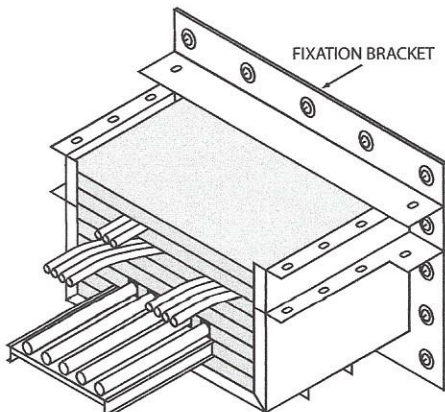
## Step 3 Mount FIRSTO® unit

Remove the Actifoam® material from the unit. With just the bracket on top of the unit, hold the frame in place over the opening centering the unit over the hole. Using drywall screws with steel washers attach the top of the unit to the wall and then the lower casing. Gasket can be installed as an option.



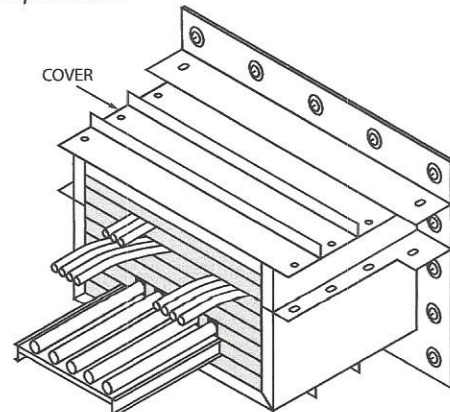
## Step 4 Pack FIRSTO® unit

Loosen fixation bracket and fill the unit per the packing instructions.



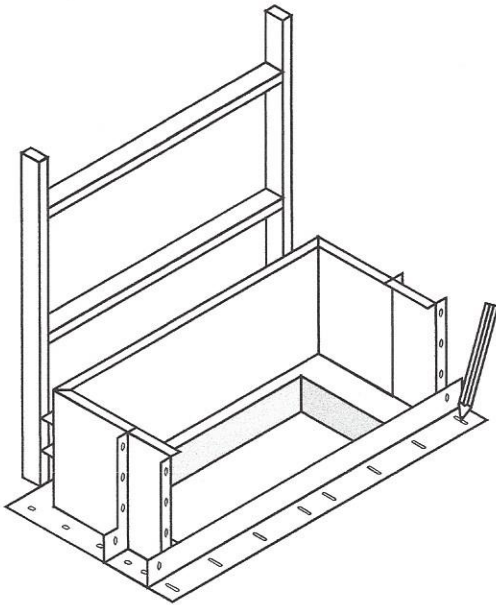
## Step 5 Mount cover

With packing in place, secure fixation bracket to the lower casing and wall. Replace cover, securing cover to the lower casing by using the six bolts provided.



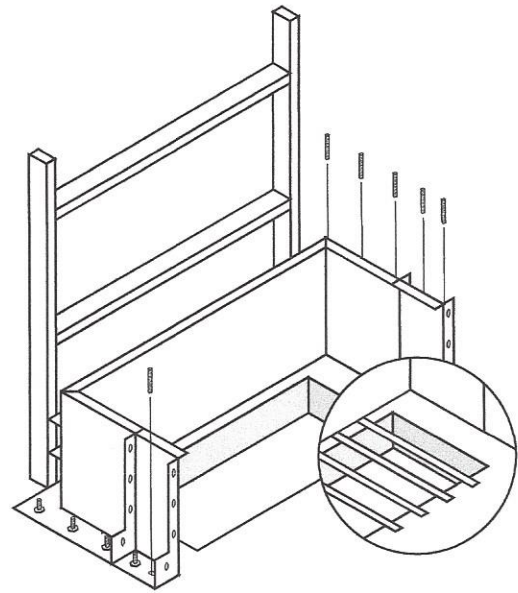
# Installing Standard Vertical Units

*Please refer to Steps 4 to 10 of wall unit installation for packing and closing*



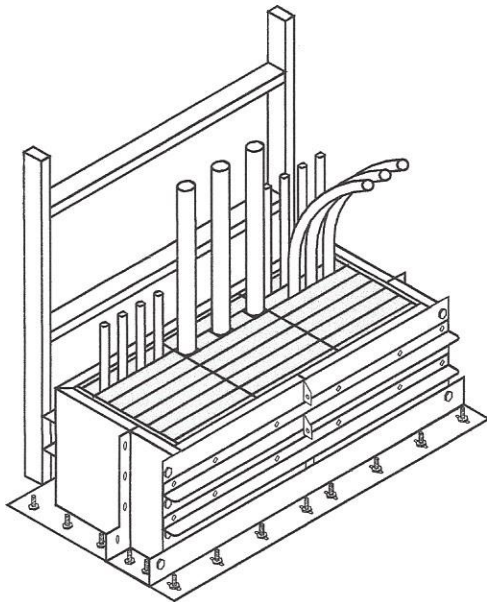
## Step 1

*Place assembled frame over the floor opening with cover plate positioned for easiest access. Make sure the sides are parallel and mark holes for drilling.*



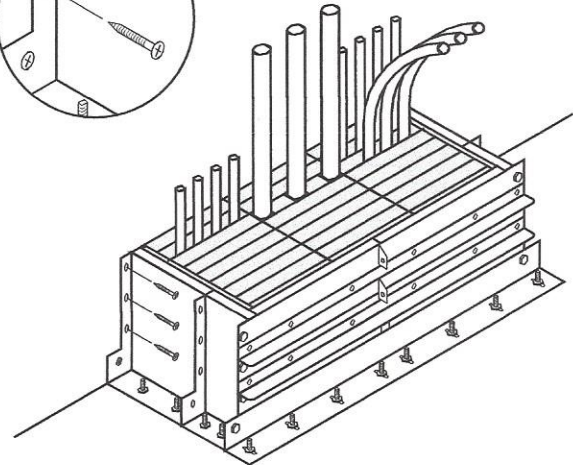
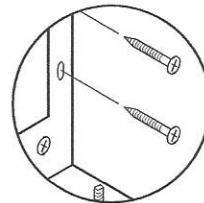
## Step 2

*Attach frame to floor with 1/4" anchor bolts and seal unit as shown in Steps 4 to 10. Inset: A few pieces of strapping can be applied across the hole to keep pads from falling through.*



## Step 3

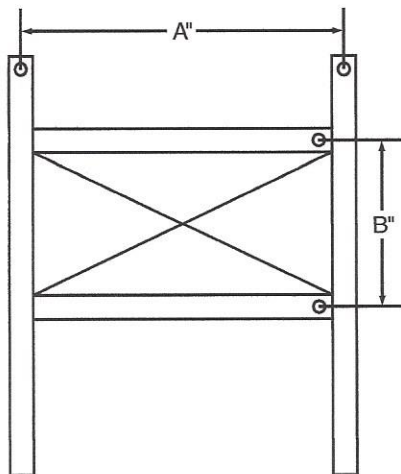
*Standard unit packed and assembled.*



## Special "F" Type Units

*"F" units are used when floor opening is close to a wall and there is not enough space to attach the flange to the floor on all sides. Attach the frame to floor and wall with 1/4" masonry anchors. Inset: If the wall is gypsum, attach the frame with sheetrock screws fastened into supporting metal studs.*

# Wall Framing Detail Dimension Chart

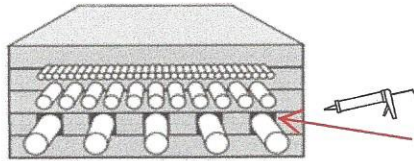


FSP MODEL#	A	B	FSP MODEL #	A	B
<b>300</b>	16 1/8"	8 1/4"	<b>1050</b>	45 3/4"	8 1/4"
300/1	16 1/8"	10 1/4"	1050/1	45 3/4"	10 1/4"
300/2	16 1/8"	12 1/4"	1050/2	45 3/4"	12 1/4"
300/3	16 1/8"	14 1/8"	1050/3	45 3/4"	14 1/8"
300/4	16 1/8"	16 1/8"	1050/4	45 3/4"	16 1/8"
300/5	16 1/8"	18 1/8"	1050/5	45 3/4"	18 1/8"
300/6	16 1/8"	20"	1050/6	45 3/4"	20"
300/7	16 1/8"	22"	1050/7	45 3/4"	22"
300/8	16 1/8"	24"	1050/8	45 3/4"	24"
<b>450</b>	22"	8 1/4"	<b>1200</b>	51 1/2"	8 1/4"
450/1	22"	10 1/4"	1200/1	51 1/2"	10 1/4"
450/2	22"	12 1/4"	1200/2	51 1/2"	12 1/4"
450/3	22"	14 1/8"	1200/3	51 1/2"	14 1/8"
450/4	22"	16 1/8"	1200/4	51 1/2"	16 1/8"
450/5	22"	18 1/8"	1200/5	51 1/2"	18 1/8"
450/6	22"	20"	1200/6	51 1/2"	20"
450/7	22"	22"	1200/7	51 1/2"	22"
450/8	22"	24"	1200/8	51 1/2"	24"
<b>600</b>	28"	8 1/4"	<b>1350</b>	57 1/2"	8 1/4"
600/1	28"	10 1/4"	1350/1	57 1/2"	10 1/4"
600/2	28"	12 1/4"	1350/2	57 1/2"	12 1/4"
600/3	28"	14 1/8"	1350/3	57 1/2"	14 1/8"
600/4	28"	16 1/8"	1350/4	57 1/2"	16 1/8"
600/5	28"	18 1/8"	1350/5	57 1/2"	18 1/8"
600/6	28"	20"	1350/6	57 1/2"	20"
600/7	28"	22"	1350/7	57 1/2"	22"
600/8	28"	24"	1350/8	57 1/2"	24"
<b>750</b>	33 7/8"	8 1/4"	<b>1500</b>	63 3/8"	8 1/4"
750/1	33 7/8"	10 1/4"	1500/1	63 3/8"	10 1/4"
750/2	33 7/8"	12 1/4"	1500/2	63 3/8"	12 1/4"
750/3	33 7/8"	14 1/8"	1500/3	63 3/8"	14 1/8"
750/4	33 7/8"	16 1/8"	1500/4	63 3/8"	16 1/8"
750/5	33 7/8"	18 1/8"	1500/5	63 3/8"	18 1/8"
750/6	33 7/8"	20"	1500/6	63 3/8"	20"
750/7	33 7/8"	22"	1500/7	63 3/8"	22"
750/8	33 7/8"	24"	1500/8	63 3/8"	24"
<b>900</b>	39 3/4"	8 1/4"	<b>A and B dimensions on center</b>		
900/1	39 3/4"	10 1/4"			
900/2	39 3/4"	12 1/4"			
900/3	39 3/4"	14 1/8"			
900/4	39 3/4"	16 1/8"			
900/5	39 3/4"	18 1/8"			
900/6	39 3/4"	20"			
900/7	39 3/4"	22"			
900/8	39 3/4"	24"			

# Special Applications

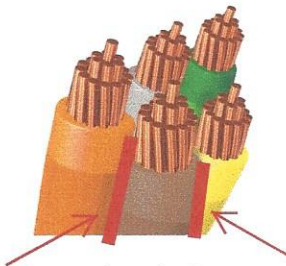
## Outdoor Protection

When using the FIRSTO units outdoors, or wherever vapor or moisture barrier is needed, an application of NOFIRNO sealant is used. The sealant should be applied to any gaps on the surface of the unit as well as the seam between the top cover and the fixation bracket. For more information contact Dorn equipment.



In addition, care shall be taken to seal in and around cables.

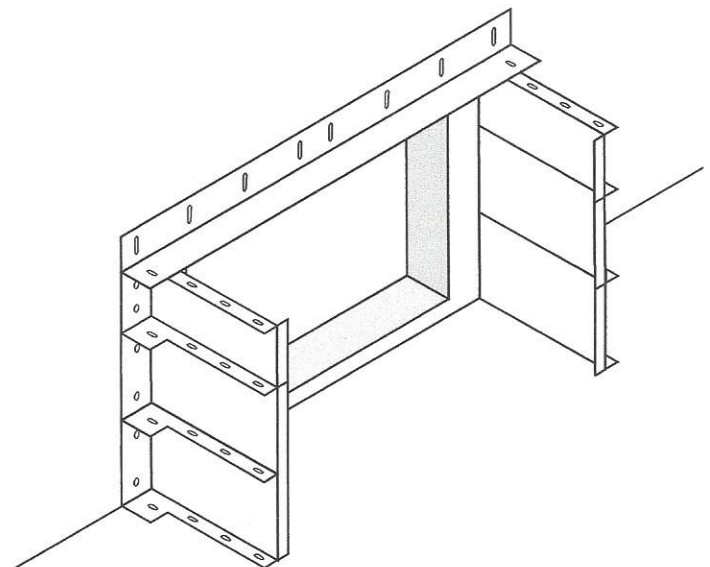
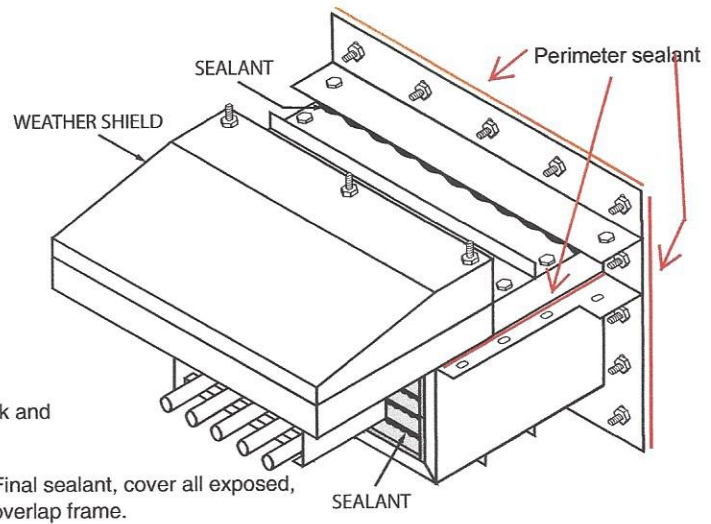
Insert tip 1.5" and draw back and seal in and around cable



### Plexing Cables

Take care to apply sealant at all cable intersections.

Place a bead of NOFIRNO FIRE AND WEATHER SEALANT a minimum 1.5" in from the face of the ACTIFOAM pads. This can be accomplished by inserting the nozzle of the sealant which will be guided by the groove of the plexed cables. This sealing will prevent ingress of water along the plex.



## "F" Type Unit on Wall

"F" type wall units are used in wall applications where the opening is close to the floor and there is not enough room for the flange to be fastened to the wall.

## Dorn Equipment, Corporation

27 Upham Street • Melrose, MA 02176 • Phone: 781-662-0326 • Fax: 781-665-0180



Fill, void, or cavity materials classified by Underwriters Laboratories, Inc. for use in through penetration Firestop System numbers C-AJ-4069 and W-L-4033. See the UL building materials directory.

Actifoam, FIRSTO and CSD are registered trademarks of Beele Engineering BV.  
Copyright Dorn Equipment Corp., August 2020

